

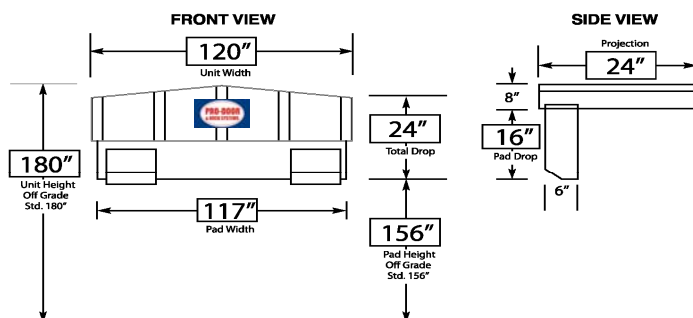
SERIES PRO 900 Rain Shroud

BENEFITS

- ➔ **SAVE** hundreds of dollars in reduced energy costs
- ➔ **ELIMINATE** wet & slippery conditions in loading dock area
- ➔ **PROTECT** product from contamination & Water damage
- ➔ **INCREASE PRODUCTIVITY BY** providing a safe & comfortable working environment
- ➔ **DURABLE RANGE OF** Hi-performance fabrics to choose from
- ➔ **CUSTOM** sizes available



SPECIFICATION



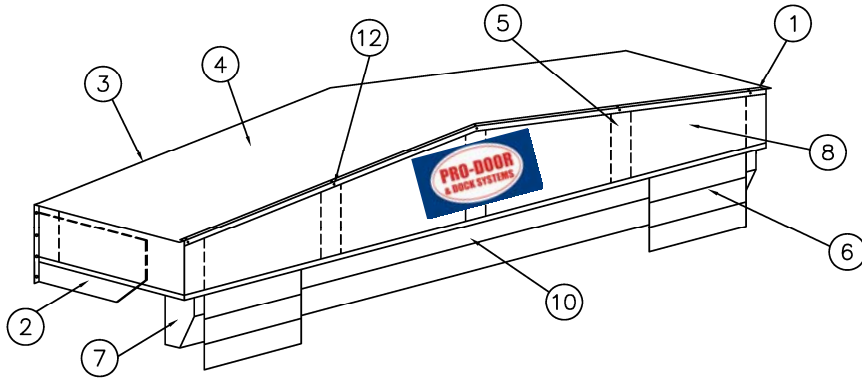
PRO DOOR Rain shroud can be retrofitted to your existing unit to keep rain water out of the loading dock area.

A foam wiper blade design creates a tight seal against the top of the trailer to keep rain water out of the loading dock area.

This economical design is virtually maintenance free with no mechanical parts to wear out.



Offers a wide Variety of Custom Solutions to Satisfy Your Dock Requirements



No.	DESCRIPTION
1	GALVANIZED TRIM ANGLE
2	GALVANIZED SIDE SUPPORT
3	PRESSURE TREATED WOOD FRAME
4	POLYETHYLENE SHEETING
5	STIFFENERS
6	10" x 20" WEAR FLAPS
7	FOAM PAD
8	STORAGE CURTAIN
9	3/8" x 3" SLEEVE ANCHOR
10	DOUBLE LAYER OF FABRIC
11	3/8" x 1 7/8" SLEEVE ANCHOR
12	#14 x 1 1/2" WOOD SCREWS Z/P

KEEP WATER OUT BEFORE IT BECOMES A PROBLEM

- Eliminate wet and slippery conditions in the loading dock area that can jeopardize employee safety
- Increase employee comfort and productivity
- The rain shroud diverts water off truck and away from the loading dock area.
- Decline approach driveways and yard jockeys can increase water flow into your building off the top of trailer.



DECLINE APPROACH



Water infiltration onto the loading dock area can lead to wet & slippery floors which can be dangerous to personnel.



Product damage can occur from water dripping onto your product.

CUSTOMIZE YOUR DOCK TO SUIT YOUR SPECIFIC NEEDS



PRO DOOR & DOCK Can customize your dock seal with the ideal fabric for your application from a wide range of colours and fabrics available.

- 14 oz Hi-Tear Vinyl
- 22 oz Hi-Tear Vinyl
- 32 oz Hi-Tear Vinyl
- 40 oz Hi-Tear Vinyl
- Hi-Performance Arctic Seal (NEW)
- 16 oz Hi-Tear Hypalon
- 40 oz Hi-Performance Hypalon

Pro-Door & Dock Systems

3190 Ridgeway Dr. Unit # 5
Mississauga, ON L5L 5S8

Tel: 416-676-1117
email:sales@prodoor.ca

1888 676 1117
www.prodoor.ca

24 Hr. Emergency Services
Overhead Doors & Dock Equipment