

DOCK LEVELER

METRO DOCK MECHANICAL LEVELER



ECONOMICAL. EASY TO USE.

Metro Dock's Mechanical Dock Levelers are the economical and safe solution for basic loading dock applications. They are manually operated and easy to use. To operate, simply pull the release chain located at the rear of the deck; the dock will rise and the lip will extend; at which point the dock leveler can be walked down onto the truck bed for safe loading or unloading. Metro Dock's reliable deep tooth ratchet holddown system is designed with positive locking traction that increases safety and reduces maintenance.

Key Features and Benefits:

- For capacities of up to 50,000 lbs.
- Formed beam & I-beam constructions
- Deep tooth Holddown system
- Heavy Duty extension springs
- Maintenance strut supports deck and lip for under-deck inspection and maintenance

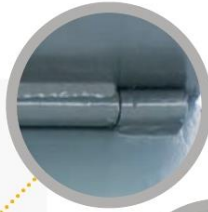
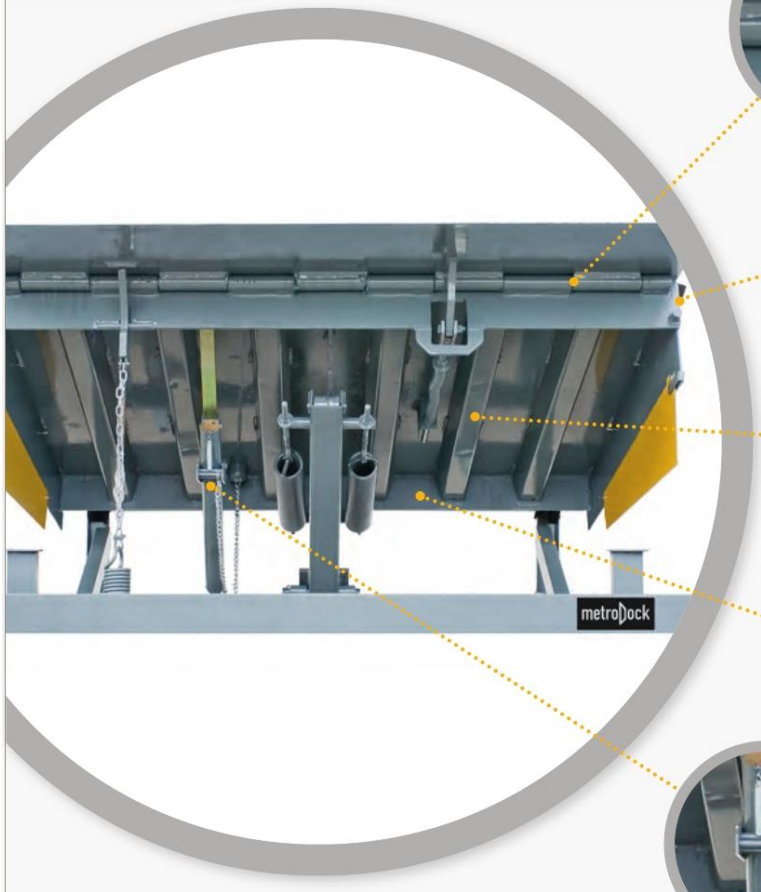
**PRO-DOOR
& DOCK SYSTEMS**

"Professional Installation
& 24 Hour Service"
Ph: 416-676-1117
Fax: 905-785-8106

metroDock

METRO DOCK MECHANICAL LEVELER

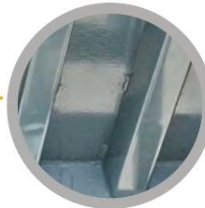
STANDARD FEATURES



1. **Lip Hinge & Pin** – Constructed of high tensile continuous seamless tube (minimum 70,000 lbs. yield) and a one piece hinge pin, provides superior strength and enhanced durability.



2. Minimum ¼" thick high tensile checker **Deck Plate** used on all dock levelers.



3. High Tensile **Formed "A" Beam**, a standard on docks up to 35,000 lbs. capacity. Wide flange I-beam construction on capacities 40,000 lbs. up to 50,000 lbs.



4. **Rear Frame and Tilt Design**. Designed with a flat bar to significantly reduce roll-over stress and our floating rear hinge compensates for uneven truck beds.



5. A **Deep Tooth Ratchet Holddown System** complete with an integrated float spring reduces premature wear and extends the life of the holddown.

SPECIFICATIONS

1. 27,000 lbs. capacity
2. 16" reach lip
3. Weather seals – 3 sides
4. Deep tooth ratchet holddown
5. Telescopic toe guards
6. Maintenance stand

OPTIONS

- 30,000 lbs. up to 50,000 lbs. capacity
- 18" & 20" reach lip
- Full range operating toe guards
- Holddown with auto-reset on float spring
- 3 wheel forklift bracing
- Hot dipped galvanized

ALSO AVAILABLE FROM METRO DOCK

- Dock seals, shelters and bumpers
- New construction options
- Truck restraining systems
- Dock accessories

**PRO-DOOR
& DOCK SYSTEMS**

"Professional Installation
& 24 Hour Service"
Ph: 416-676-1117
Fax: 905-785-8106

metroDock